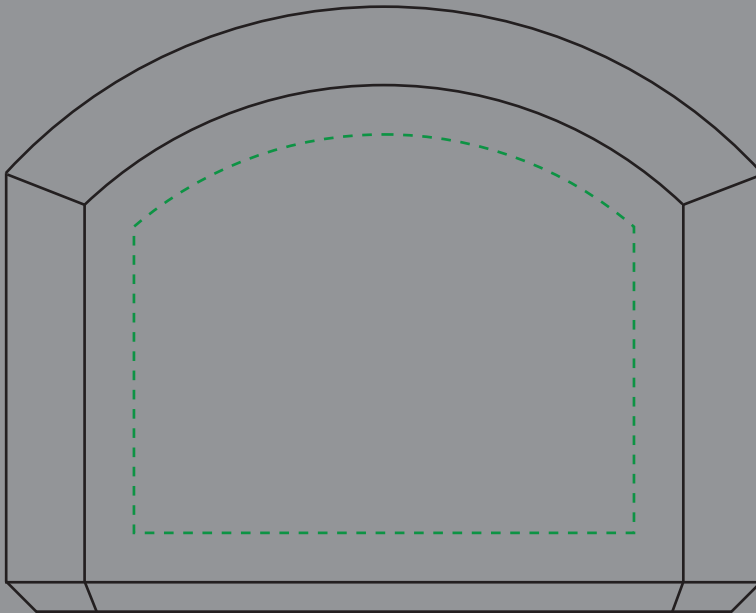


Subsurface Top View



TOP VIEW

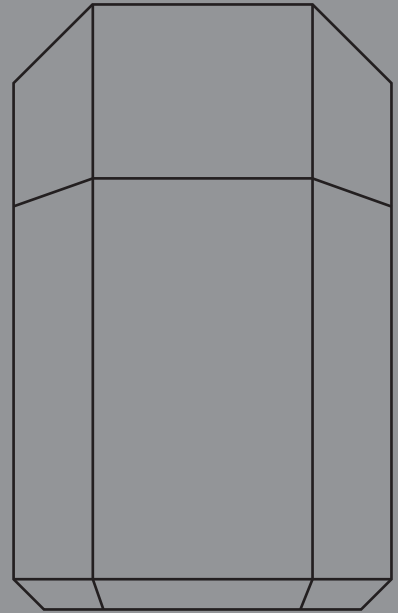
Subsurface Front View



7979 MERCER AWARD - 3"
(100 X 80 X 50MM)

Green line represents the max image area.
(image area varies depending on depth of piece & placement of art)

Subsurface Left Side View



SIDE VIEW