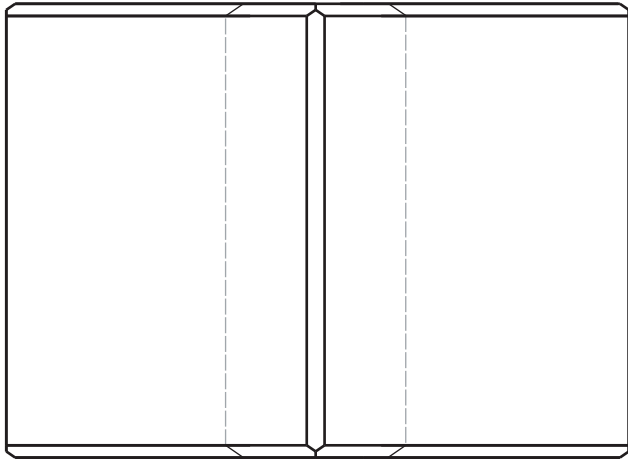


# 2D ONLY

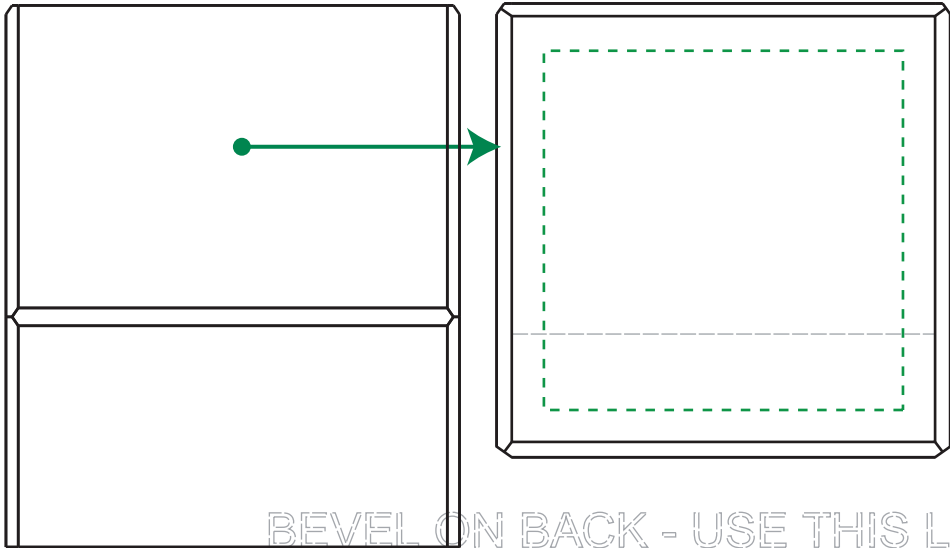
## Subsurface Top View



## Subsurface Front View

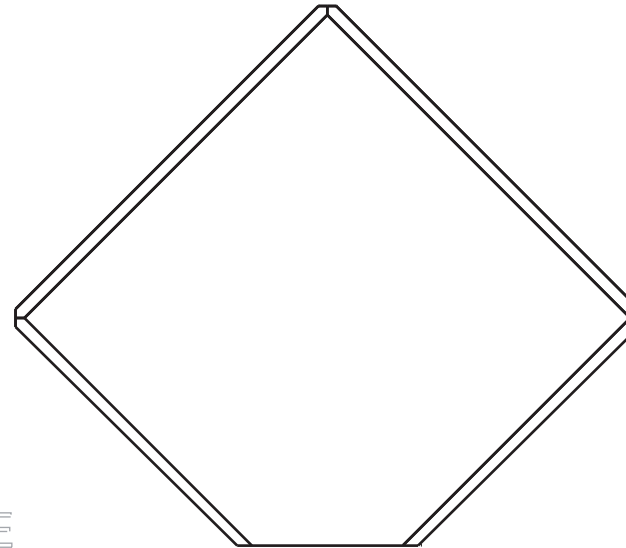
FRONT VIEW  
(SKEWED VIEW)

FRONT VIEW  
(ACTUAL IMPRINT SIZE)

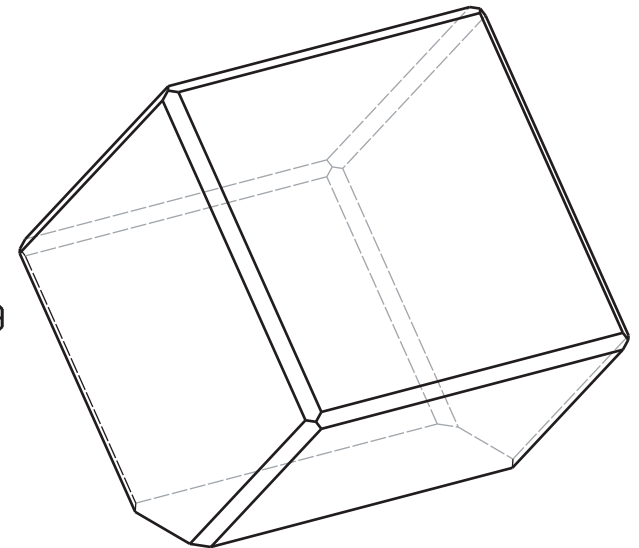


BEVEL ON BACK - USE THIS LINE

## Subsurface Left Side View



## Subsurface Perspective View



7970 CLIFTON CUBE - 60 X 70 X 60MM

Green line represents the max image area.