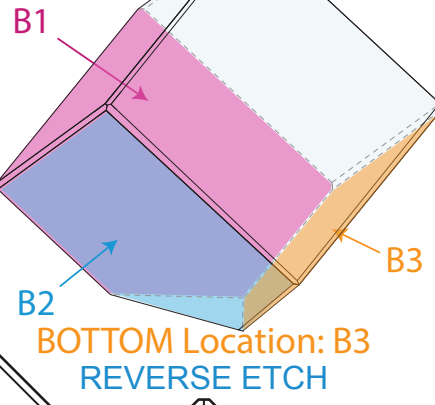


BOTTOM LOCATIONS

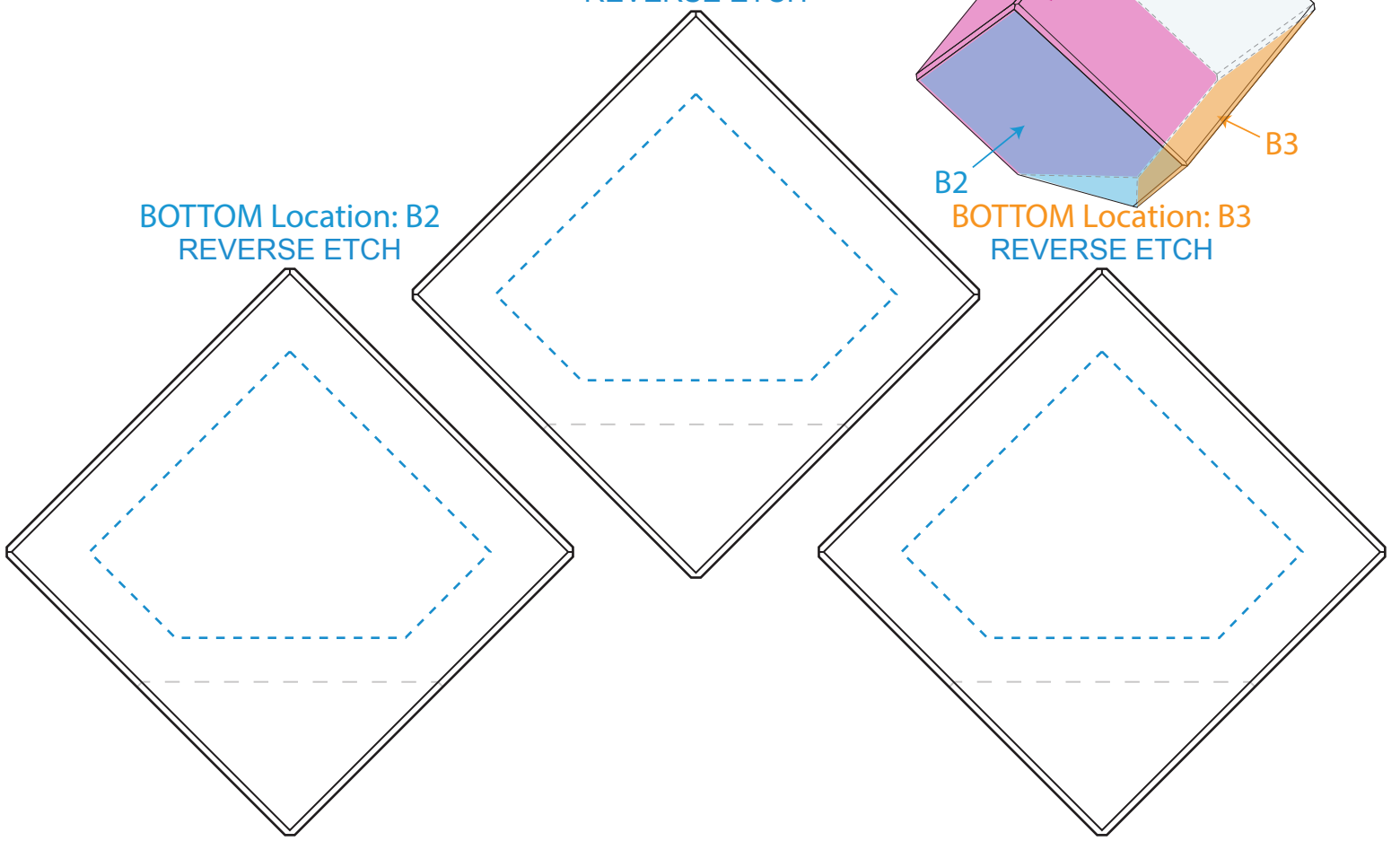
(IMAGE AREA IS SMALLER DUE TO CUT AT BOTTOM)

BOTTOM Location: B1
REVERSE ETCH

BOTTOM Location: B2
REVERSE ETCH



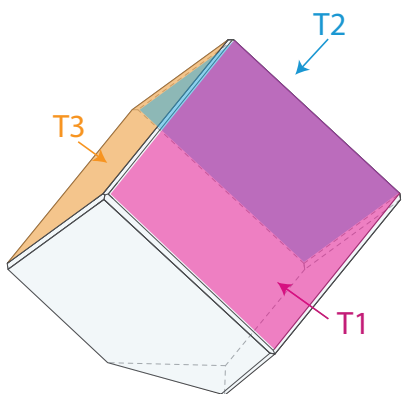
BOTTOM Location: B3
REVERSE ETCH



TOP LOCATIONS

TOP Location: T1
FRONT ETCH

TOP Location: T3
FRONT ETCH



TOP Location: T2
FRONT ETCH

