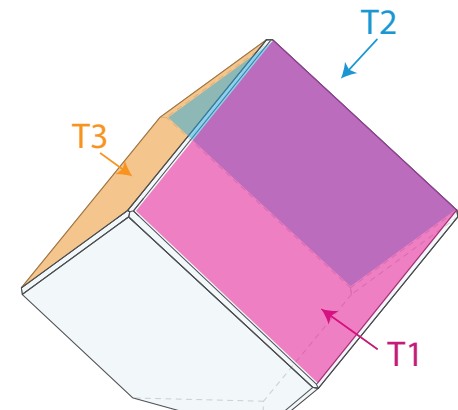


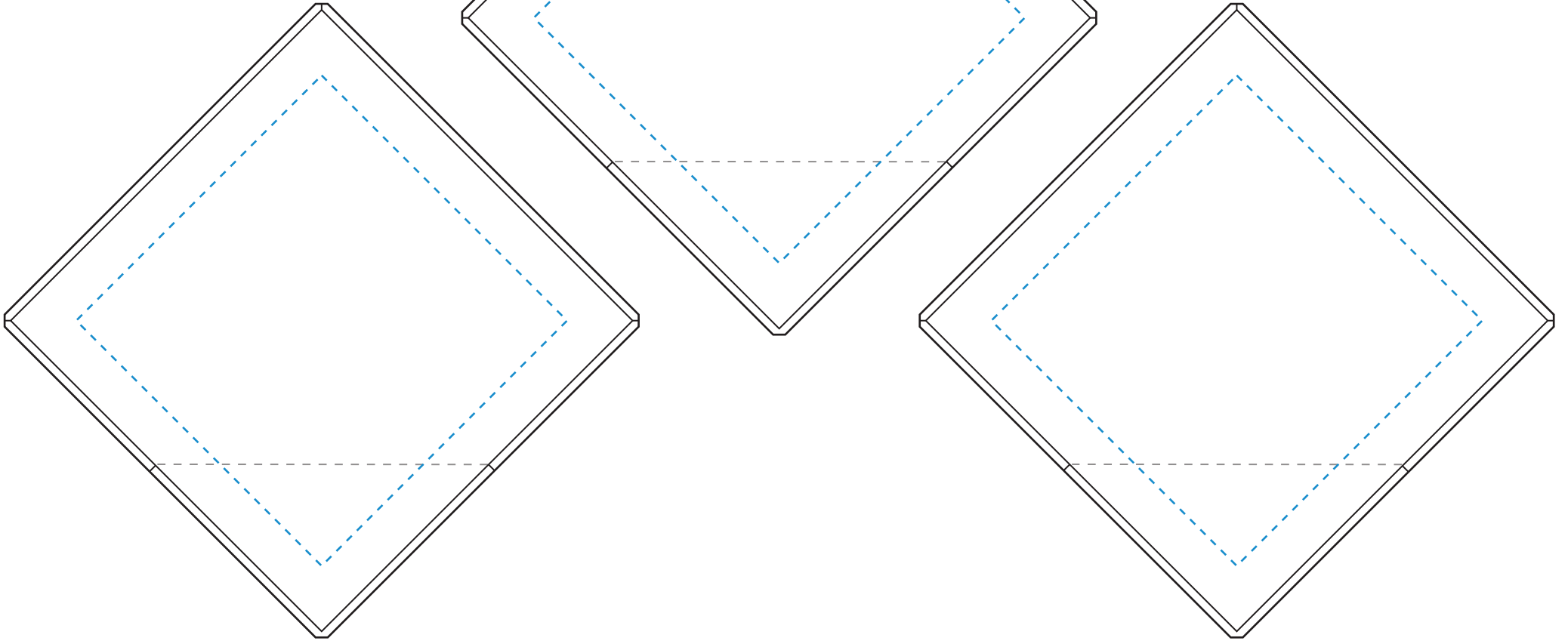
TOP LOCATIONS

TOP Location: T1
FRONT ETCH



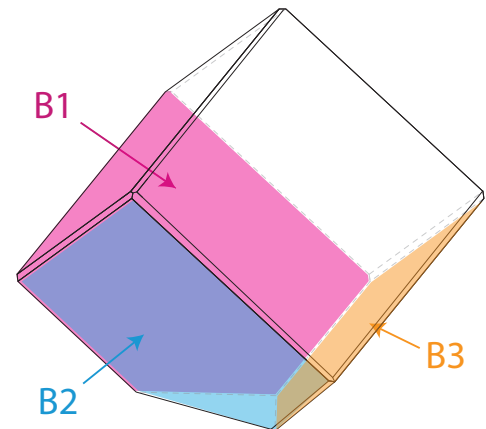
TOP Location: T2
FRONT ETCH

TOP Location: T3
FRONT ETCH



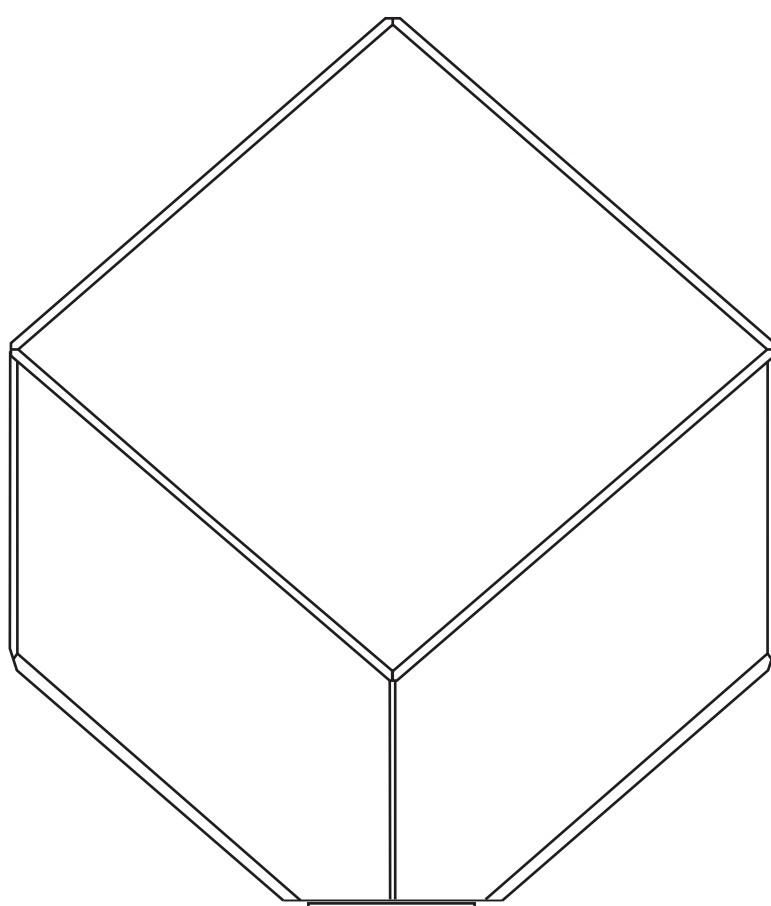
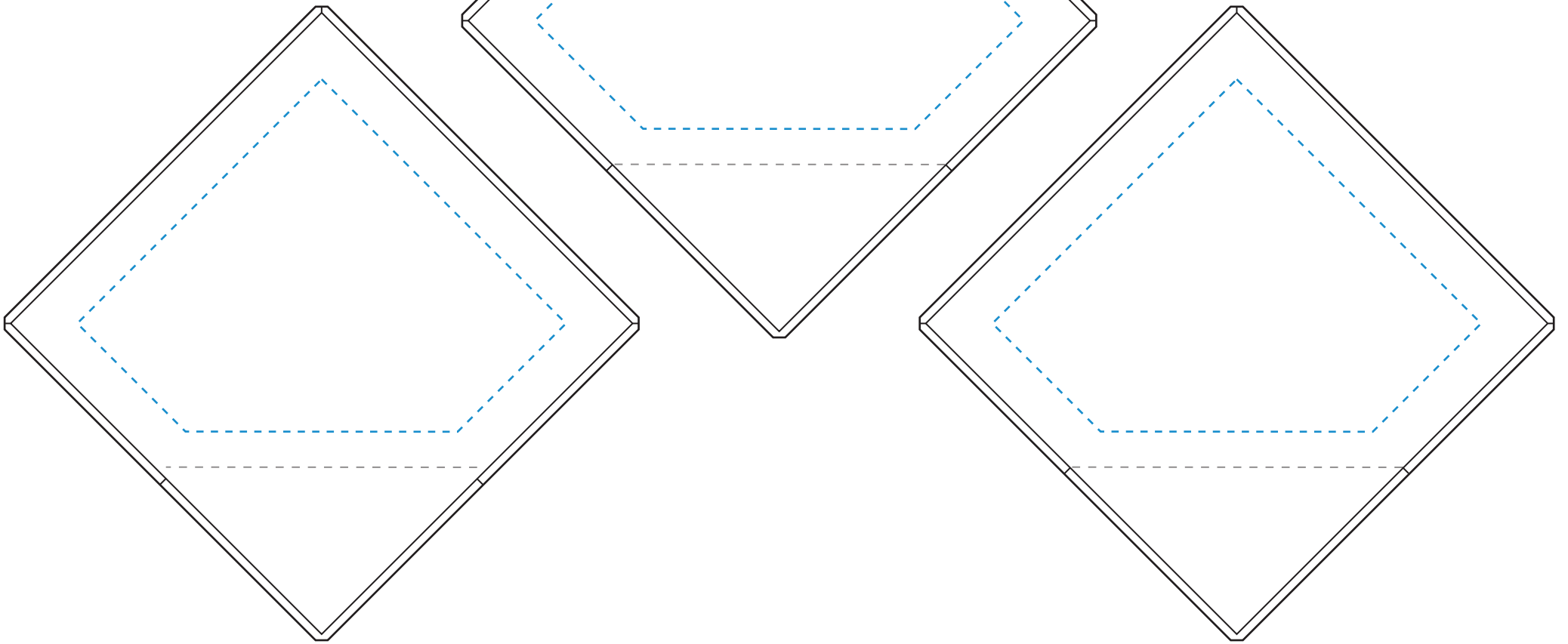
BOTTOM LOCATIONS
(IMAGE AREA IS SMALLER DUE TO CUT AT BOTTOM)

BOTTOM Location: B1
REVERSE ETCH

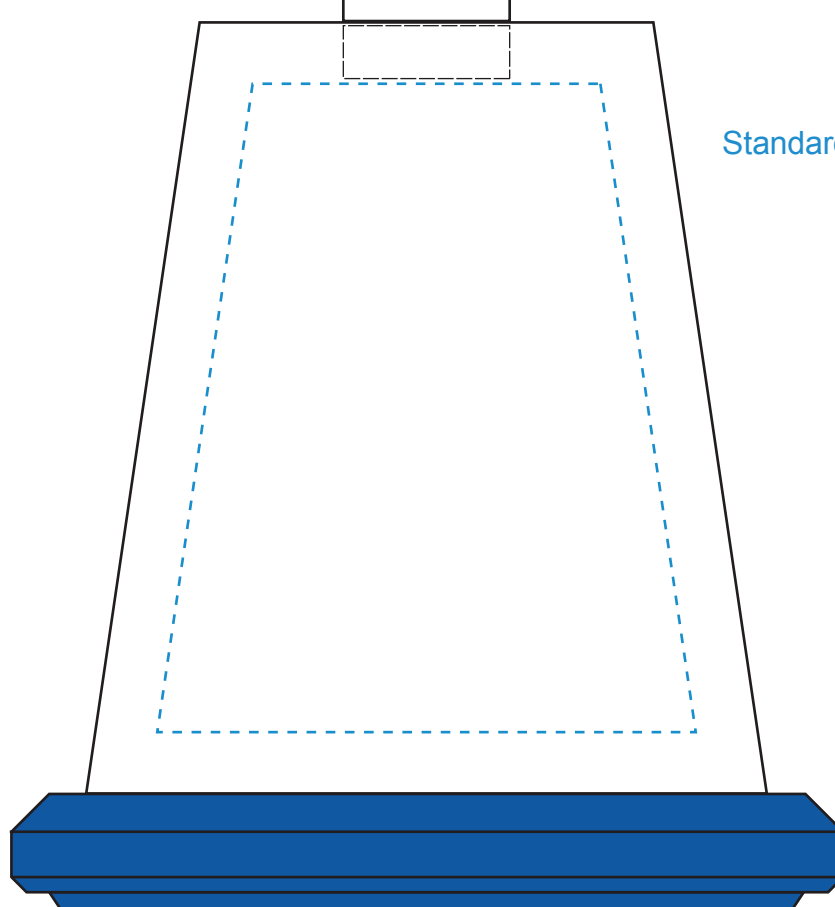


BOTTOM Location: B3
REVERSE ETCH

BOTTOM Location: B2
REVERSE ETCH



Standard Etch: Front



7152 AWARDS IN MOTION® ALBANY - 9.5"

Blue line represents the max image area.