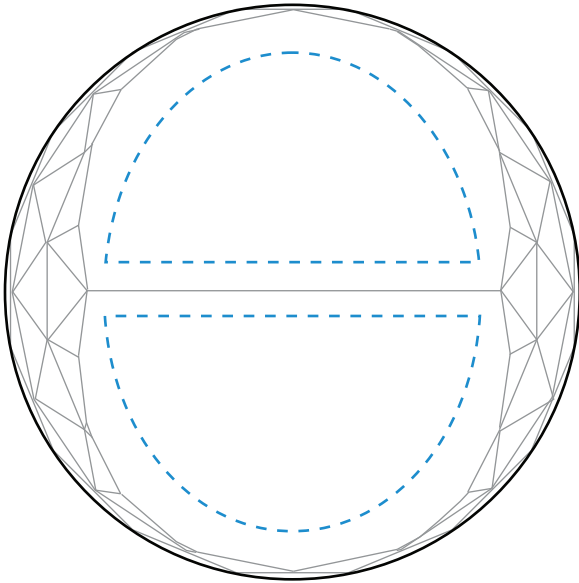
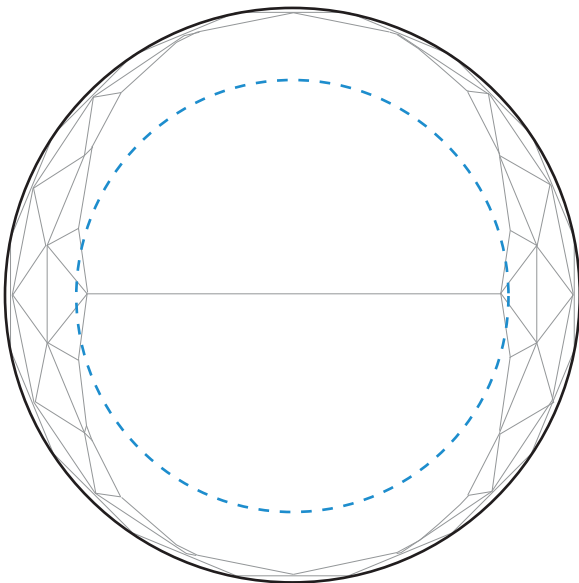


Standard Etch: Reverse



6809 CASCADE AWARD 3" DIA.
Blue line represents the max image area.

Secondary Etch Area: Front



6809 CASCADE AWARD 3" DIA.
Blue line represents the max image area.